

Five lobe grips with internal thread

Item description/product images



Description

Material, version:

Base body in black hard thermoplastic,
coating in black soft thermoplastic,
internal thread in brass.

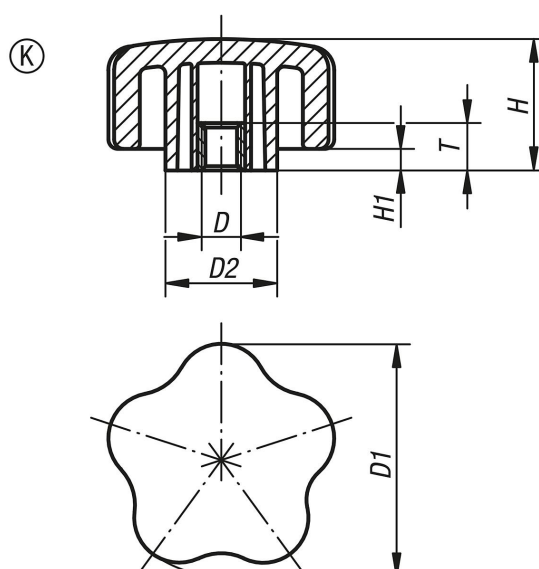
Note:

SYMPA TOUCH five lobe grips are available in 3 sizes with internal and external threads.

On request:

Other screw sizes, screw lengths, versions and colours.

Drawings



Overview of items

Five lobe grips with internal thread

Order No.	Form	D	D1	D2	H	H1	T
K0279.4005	K	M5	40	19	27,7	4,6	12,5
K0279.4006	K	M6	40	19	27,7	4,6	12,5
K0279.4008	K	M8	40	19	27,7	4,6	12,5
K0279.4010	K	M10	40	19	27,7	4,6	12,5
K0279.5006	K	M6	50	23,5	27,7	4,6	12,5
K0279.5008	K	M8	50	23,5	27,7	4,6	12,5
K0279.5010	K	M10	50	23,5	27,7	4,6	12,5
K0279.6006	K	M6	60	31,8	27,7	4,6	12,5
K0279.6008	K	M8	60	31,8	27,7	4,6	12,5
K0279.6010	K	M10	60	31,8	27,7	4,6	12,5

Five lobe grips with internal thread

Overview of items
