

Tongue for compression latches

Item description/product images

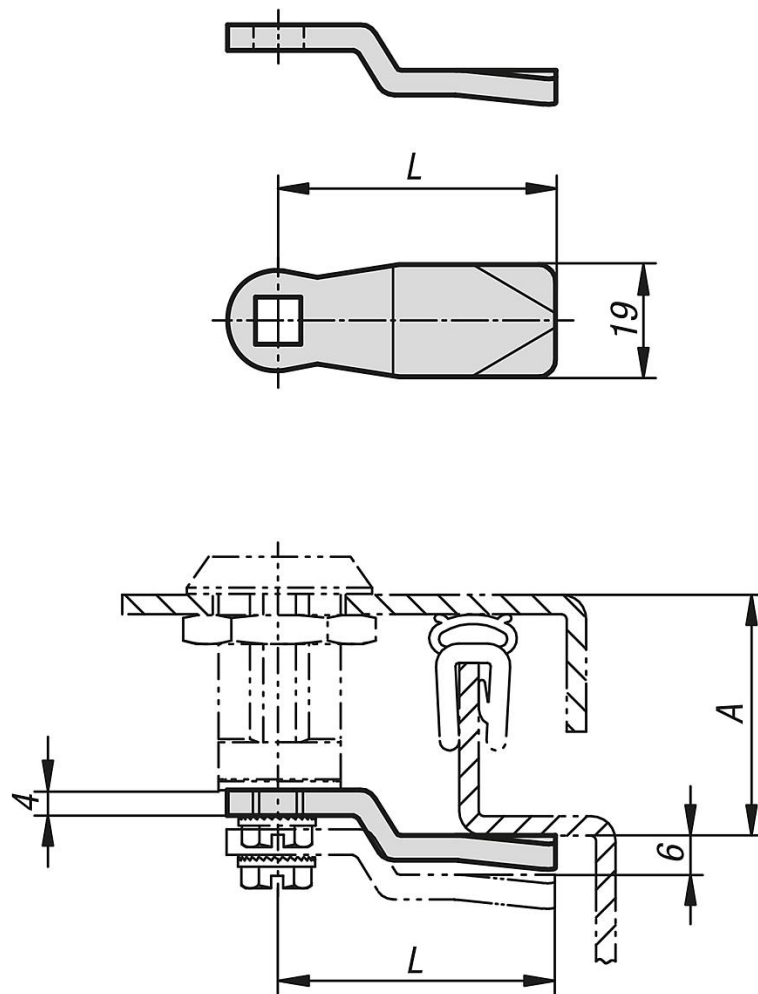


Description

Material:
Steel.

Version:
Electro zinc-plated.

Drawings



Overview of items

Tongue for compression latches

Order No.	A	L
K0530.145X320	32	45
K0530.145X350	35	45
K0530.145X380	38	45
K0530.145X440	44	45
K0530.151X320	32	51

